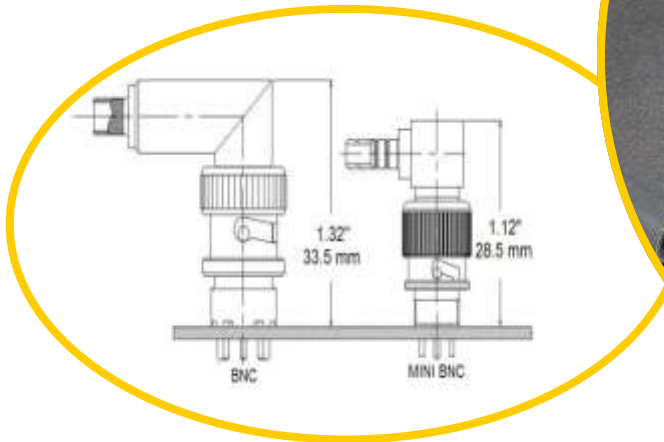




Duplex Connector Division

Mini BNC 75 Ohm



Features

- Same performance as a standard BNC in 40% less space
- Bayonet locking mechanism
- Compatible with industry standard tooling
- DC—2 GHz.
- ROHS & Reach compliant

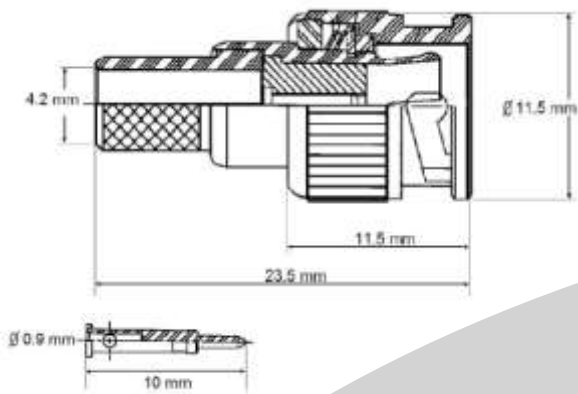
Benefits

- Meets the demand for increased densities
- Positive locking gives confidence that the connector is fully engaged
- Uses standard BNC tooling
- Operational frequency range compatible with standard BNC
- Meets industry materials requirements

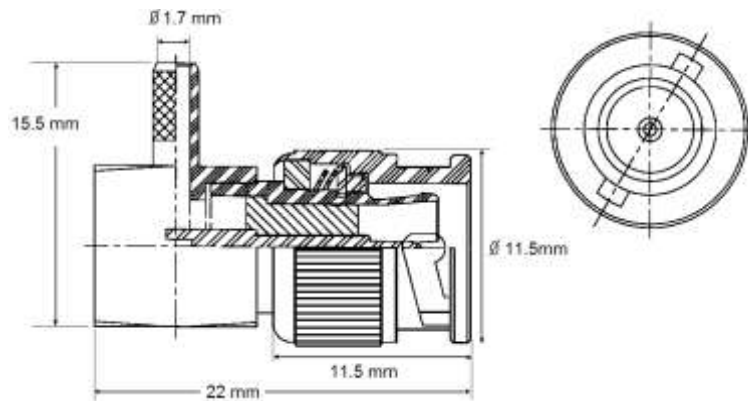
Patch cable assemblies can be produced to meet your custom design needs

PART	MATERIAL	FINISH
BODY	BRASS	NICKEL PLATING
DIELECTRIC	TEFLON	WHITE
FERRULE	BRASS	NICKEL PLATING
CONTACT	BERYLLIUM COPPER	GOLD PLATING
LOCK WASHER	BRASS	NICKEL PLATING
NUT	BRASS	NICKEL PLATING

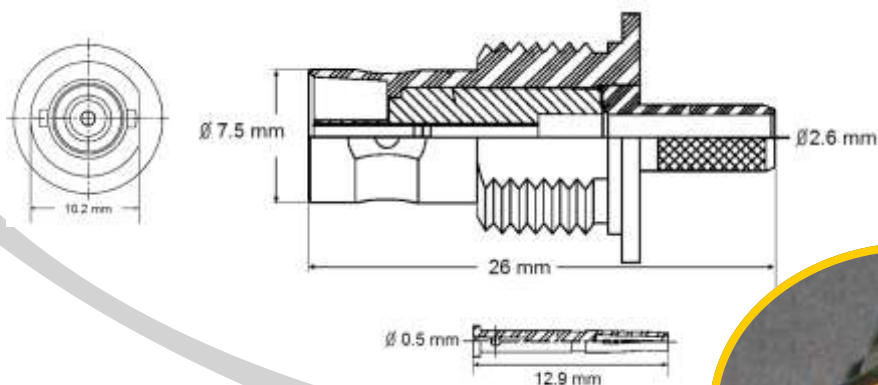
Mini BNC Straight Cable Plug B1-111-734A-PH



Mini BNC Right Angle Cable Plug B1-121L



Mini BNC Bulkhead Cable Jack B1-231-735A-1B

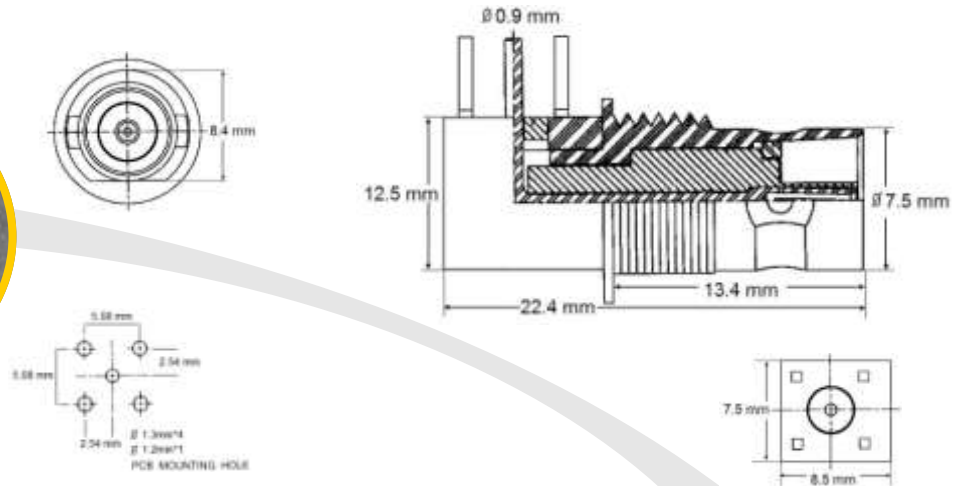


Cable types—models shown cover RG179, 734A & 735A as standard.

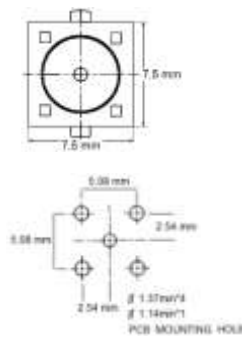
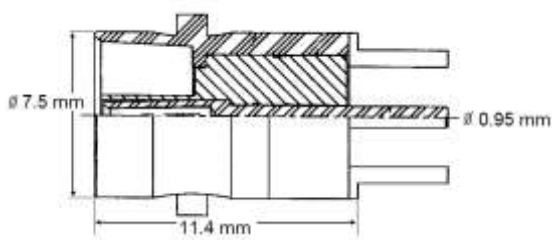


Other types can be accommodated, please consult your local sales office for details.

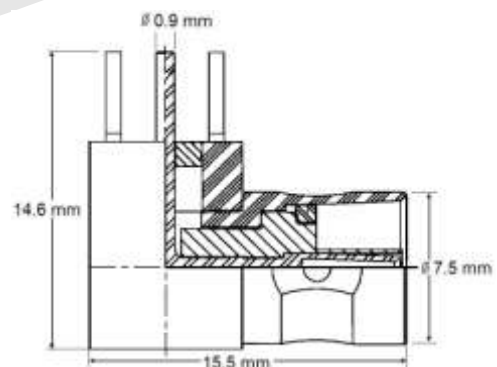
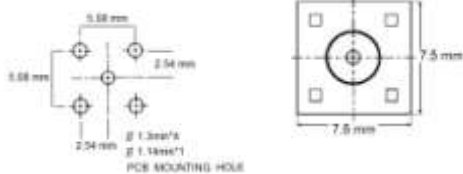
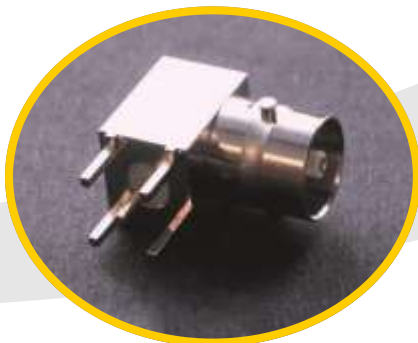
Mini BNC Right Angle PCB Mounting Jack B1-P225-3B



Mini BNC Straight PCB Mounting Jack B1-P215-1A

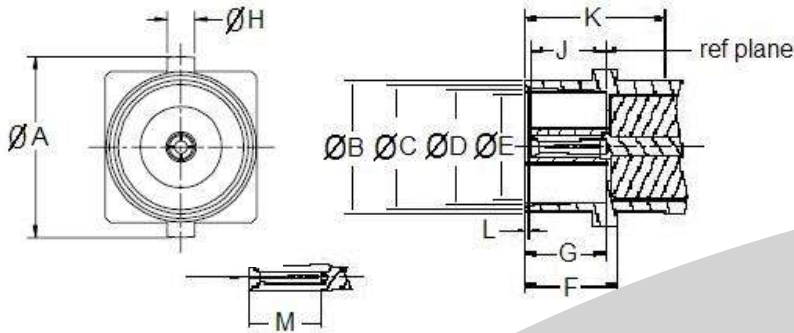


Mini BNC Right Angle PCB Mounting Jack B1-P225-5B



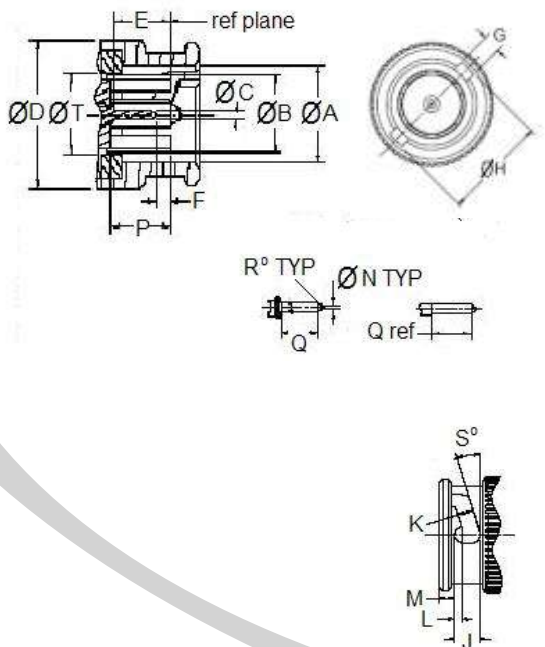
Interface Dimensions

Mini BNC Jack



	MINIMUM mm (Inches)	MAXIMUM mm (inches)
A	8.89 (.350)	9.14 (.360)
B	7.37 (.290)	7.62 (.300)
C	7.11 (.280)	7.21 (.284)
D	6.63 (.261)	6.73 (.265)
E	6.20 (.244)	6.30 (.248)
F	5.03 (.198)	5.13 (.202)
G	4.39 (.173)	4.50 (.177)
H	1.32 (.052)	1.42 (.056)
J	3.86 (.152)	4.27 (.168)
K	7.70 (.303)	-
L	0.18 (.007)	0.30 (.012)
M	4.01 (.158)	-

Mini BNC Plug



	MINIMUM mm (inches)	MAXIMUM mm (inches)
A	7.70 (.303)	7.80 (.307)
B	-	-
C	0.71 (.028)	0.76 (.030)
D	11.43 (.450)	11.68 (.460)
E	4.27 (.168)	4.93 (.194)
F	0.94 (.037)	1.35 (.053)
G	1.57 (.062)	1.68 (.066)
H	9.60 (.378)	9.70 (.382)
J	2.49 (.098)	2.59 (.102)
K	1.57 (.062)	1.68 (.066)
L	0.63 (.025)	0.74 (.029)
M	1.47 (.058)	1.57 (.062)
N	0.20 (.008)	0.30 (.012)
P	4.62 (.182)	4.93 (.194)
Q	2.84 (.112)	3.38 (.133)
R	29	31
S	14	16
T	6.20 (.244)	6.30 (.248)



Duplex CSA LTD

Little End Road, Eaton Socon, St Neots, Cambridgeshire, PE19 8JH

Tel: 0044 1480 406206 Fax: 0044 1480 477753

E Mail: sales@duplexcsa.co.uk

www.duplexcsa.co.uk