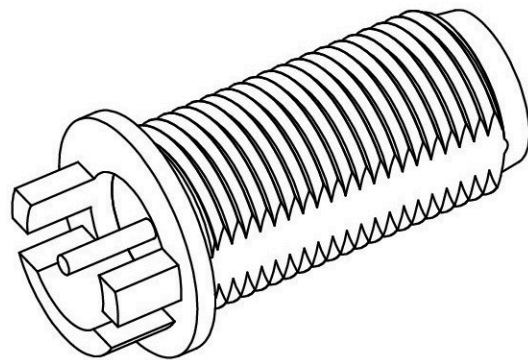
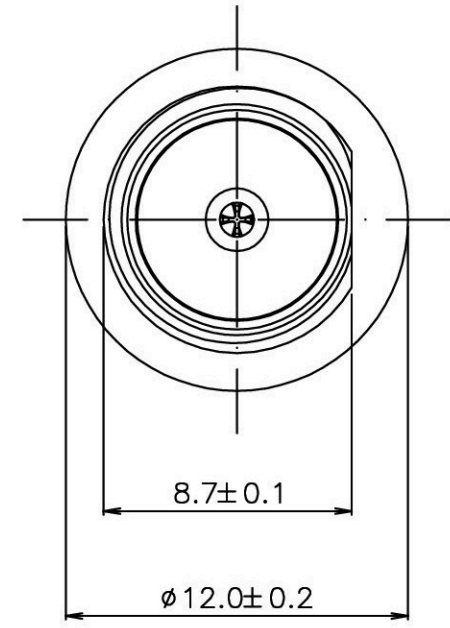
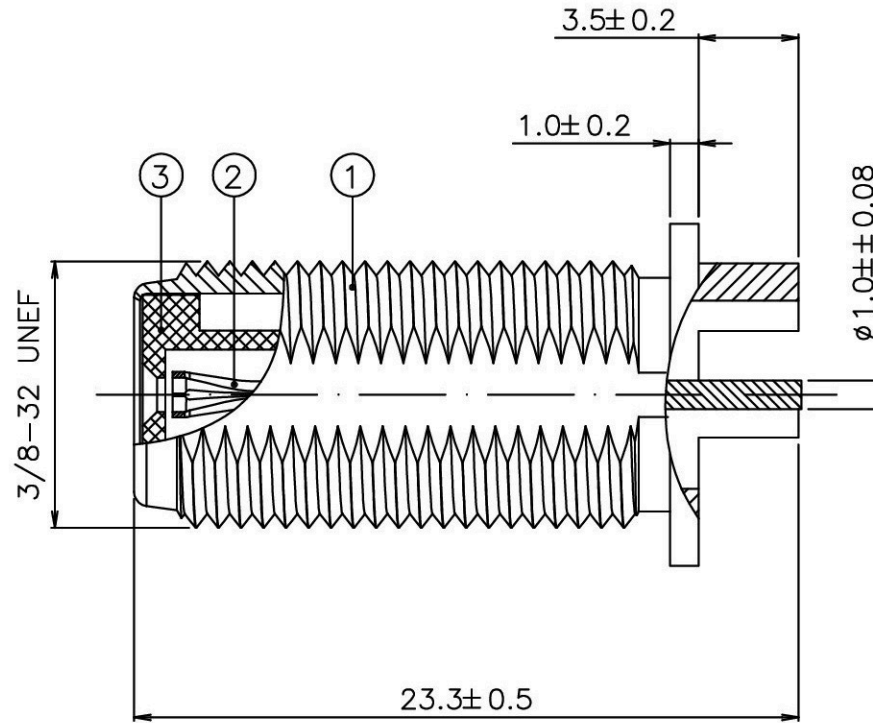
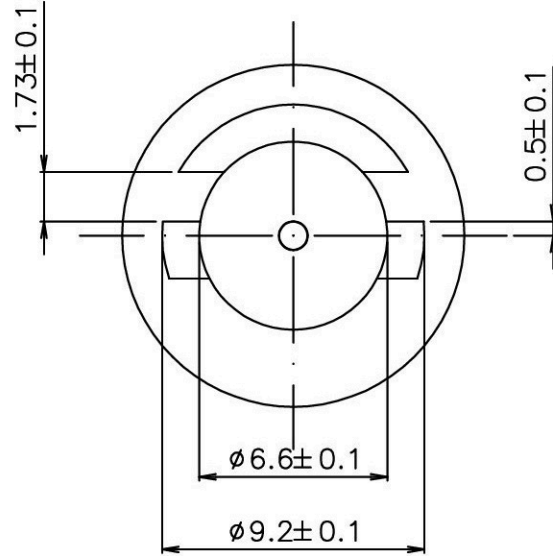


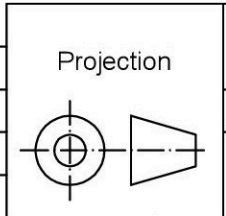


ROHS

NOTE: F FEMALE TO PCB



3	pa 9t	
2	be cu	tin
1	brass	nickel
	Material	Plated



Duplex CSA Ltd			
APPROVED	AUDIT	DRAWING	DESIGN
		X.H.B	X.H.B

TITLE		UNITS	mm	SCALE	4:1
PART NO.	DUP-68C	△			
DRAWING NO.		△			
GLAZE		△			A
MATERIAL		SYE	DATE		REV

CH1

RFL

LOG

10 dB/

REF 0 dB

5: -28 . 698 dB

3 000 . 000 000 MHz

Ap

MARKER 5  
3 GHz

Cor

f



CH1 Markers

1: -34 . 146 dB  
1. 00000 GHz2: -29 . 187 dB  
1. 60000 GHz3: -26 . 990 dB  
2. 00000 GHz4: -26 . 246 dB  
2. 40000 GHz