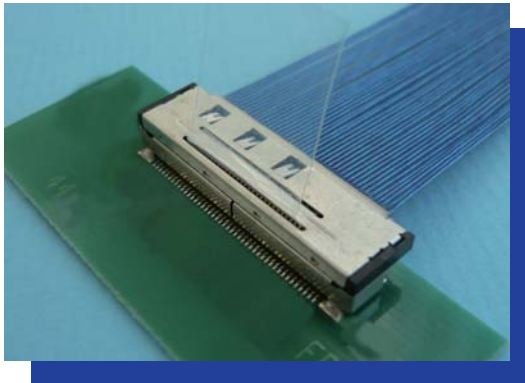


FPL-D

0.5mm Pitch

Right Angle Type



- Selectable Mating Height : 4.4mm, 7.35mm, 9.35mm
- Cable assembly by blanket soldering with different size cables for SGC and Discrete wire
- Mated contact protected from flux overflow by special design
- Click sensation provides audible and tactile check for proper mating
- Soldering connection

【Number of Position】 44p

【Ordering Code】

PLUG Connector Set (for Cable)

Parts Ordering (HOUSING)

20336- * 44 T - 01F
 ① ②

Parts Ordering (SHELL)

2004-0441F

PLUG REVERSE TYPE (for Cable)

Parts Ordering (HOUSING)

20409- * 44 T - 01F
 ① ②

Parts Ordering (SHELL)

2360-0441F

RECEPTACLE Connector Set
(for PC Board)

20330- * 44 E - * * * G
 ① ② ③④⑤

【Applicable Cable Size】

SGC	AWG #32
TWINCOAX	AWG #40
DISCRETE	AWG #32 or #36

①	Mating Side C/T Plating	0	Au 0.7 μ m Min.
		Y	Au 0.2 μ m Min.
②	Packaging	T	Tray
		E	Emboss Tape
③	Mating Height Type	0	LL 9.35mm
		1	L 7.35mm
		2	S 4.4mm
④	BOSS	1	With
		2	Without
⑤	DATE CODE	1	With
		2	Without

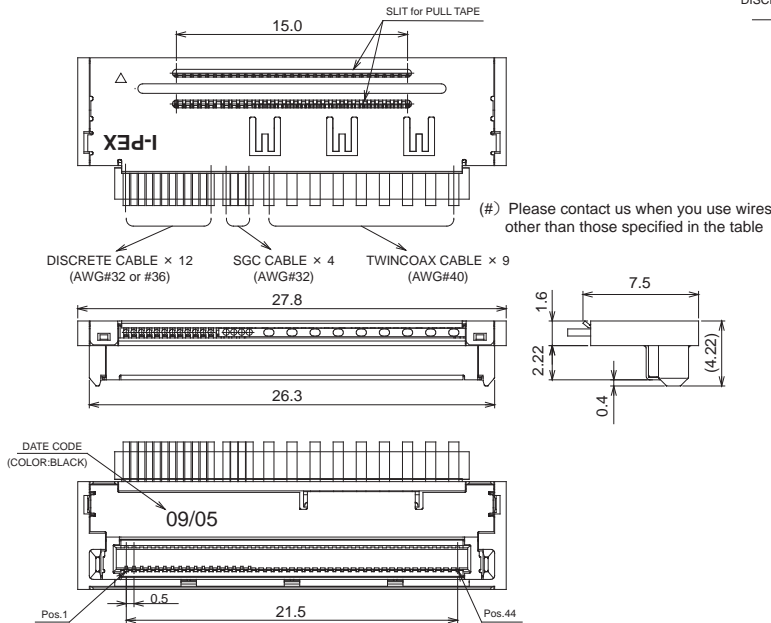
【Material / Finish】

Product	Parts	Material	Plating / Color
PLUG	HOUSING	LCP UL94V-0	BLACK
	CONTACT	COPPER ALLOY	Au
	SHELL A	COPPER ALLOY	Sn
	SHELL B	COPPER ALLOY	Sn
RECEPTACLE	HOUSING	LCP UL94V-0	BLACK
	CONTACT	COPPER ALLOY	Au
	SHELL	COPPER ALLOY	Sn

PLUG

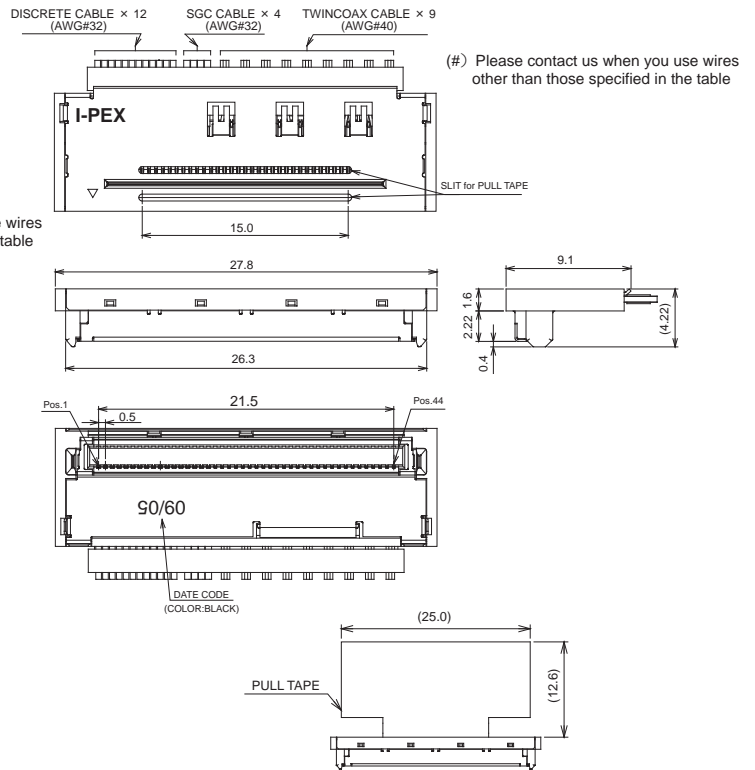
Original Type

Set P/N: 20329-*44T-01F



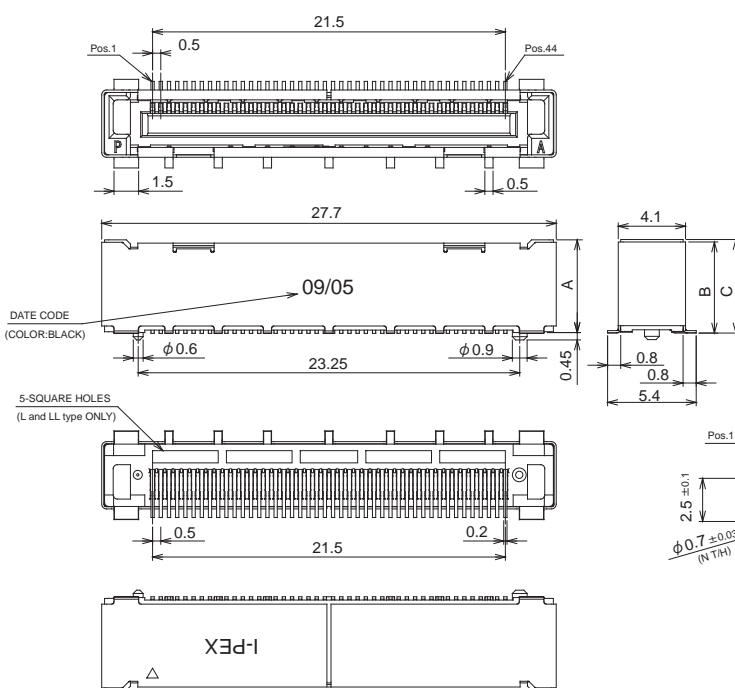
Reverse Type

Set P/N: 20408-*44T-01F



RECEPTACLE

TYPE	PART NO.	A	B	C	D	E
LL	20330-*44E-0**G	7.65	7.55	7.7	18.0	9.35
L	20330-*44E-0**G	5.65	5.55	5.7	18.0	7.35
S	20330-*44E-0**G	2.7	2.6	2.75	6.0	4.4



RECOMMENDED DIMENSION OF PULL TAPE

