

# MINIFLEX3-VT

**0.3mm Pitch**

Vertical Type  
Slider Lock Type



- Profile Height : 4.0mm (Slider Locked)
- Reduced 30% of occupied area on PCB as compared with horizontal type FPC connector
- ZIF (Zero Insertion Force) design makes easy FPC insertion
- Temporary hold mechanism of FPC

**【Number of Positions】**

33p, 39p, 45p

**【Applicable Thickness of FPC】**

FPC Thickness	0.2 ±0.03mm
---------------	-------------

**【Ordering Code】**

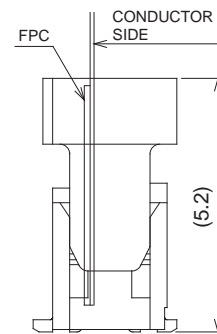
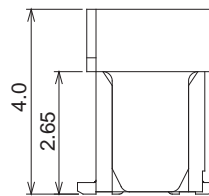
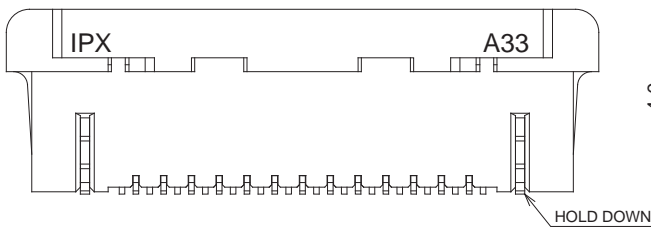
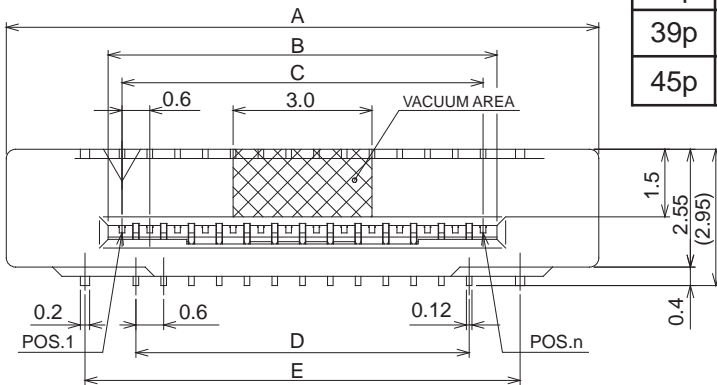
**20348- 0 \*\* E - 11**  
                   ① ②

①	POS.	<b>33:</b> 33pos	<b>39:</b> 39pos	<b>45:</b> 45pos
②	Packaging	E	Emboss Tape	

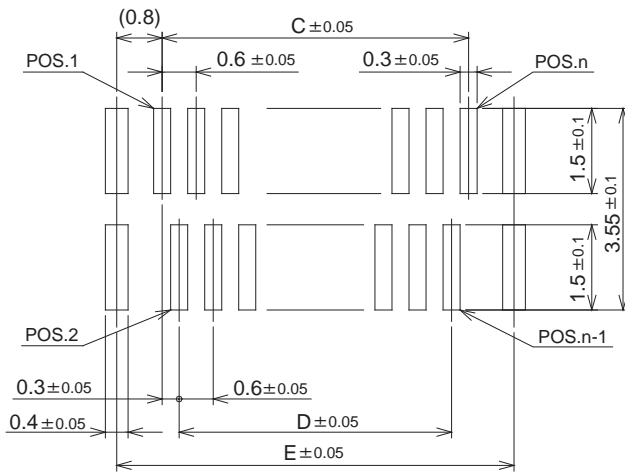
**【Material / Finish】**

Parts	Material	Plating / Color
HOUSING	LCP UL94V-0	NATURAL
SLIDER	9TPA UL94V-0	BROWN
CONTACT A	COPPER ALLOY	Au (with Ni stripe )
CONTACT B	COPPER ALLOY	Au
HOLD DOWN	COPPER ALLOY	Sn

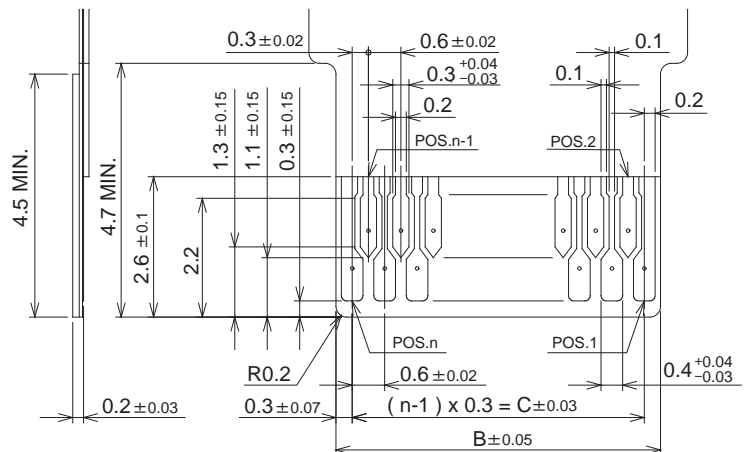
POS.	Part NO.	A	B	C	D	E
33p	20348-033E-11	14.6	10.2	9.6	9.0	11.2
39p	20348-039E-11	16.4	12.0	11.4	10.8	13.0
45p	20348-045E-11	18.2	13.8	13.2	12.6	14.8



SLIDER OPENED STATE



RECOMMENDED PATTERN LAYOUT



RECOMMENDED FPC PATTERN