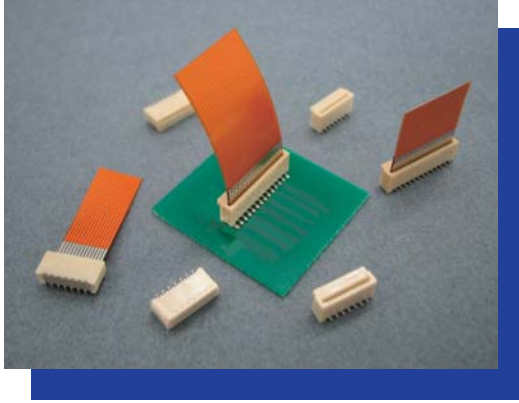


MINIFLEX5-NV

0.5mm Pitch Vertical Type
NON-ZIF Type



- Profile Height : 4.0mm
- The unique design of contact provides easy, reliable FPC mating.
- Higher reliability is secured.
- Wide range of the product line up

【Number of Positions】

6p, 8p, 10p, 12p, 14p, 16p, 18p,
20p, 22p, 24p, 26p, 28p, 30p

【Applicable Thickness of FPC】

FPC Thickness	0.3 ±0.05mm
---------------	-------------

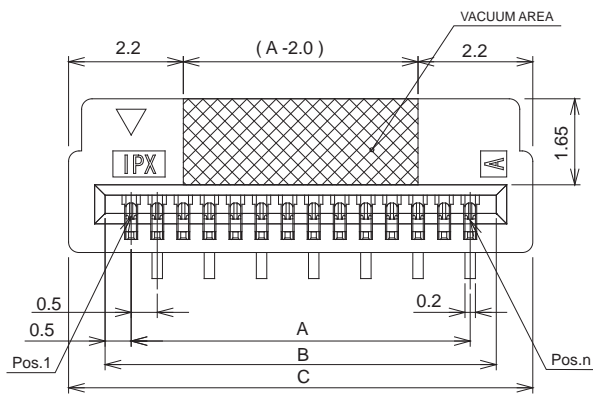
【Ordering Code】

20305- 0 ** E - **02**
 ① ②

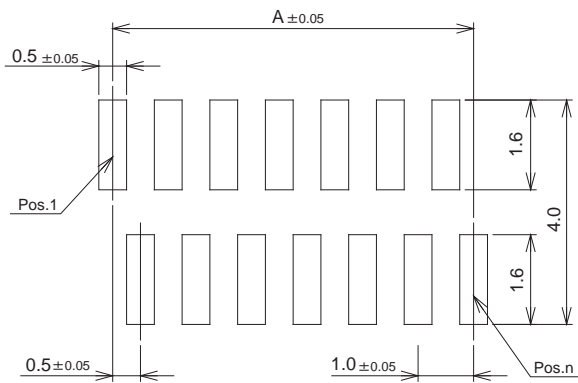
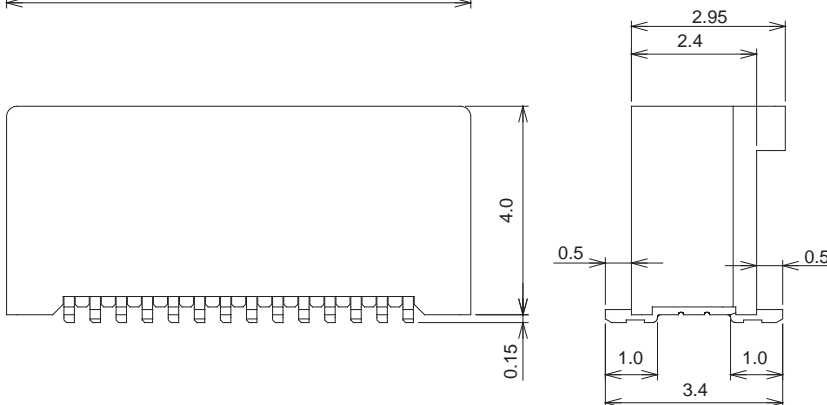
①	POS.	06: 6pos 08: 8pos 10: 10pos 12: 12pos 14: 14pos 16: 16pos 18: 18pos 20: 20pos 22: 22pos 24: 24pos 26: 26pos 28: 28pos 30: 30pos	
②	Packaging	E	Emboss Tape

【Material / Finish】

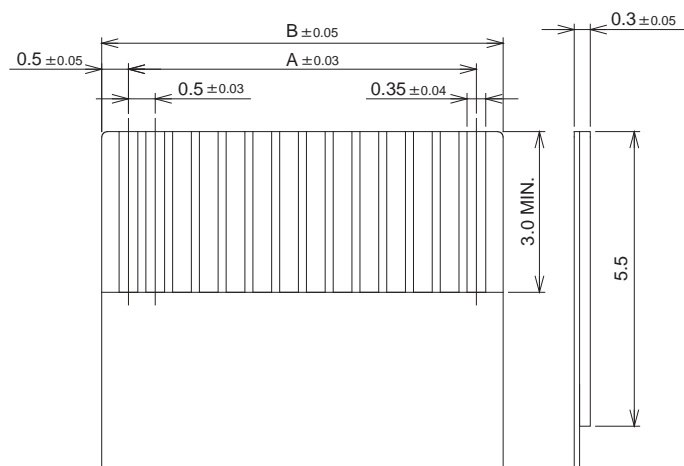
Parts	Material	Plating / Color
HOUSING	PPS UL94V-0	NATURAL
CONTACT	COPPER ALLOY	Au



POS.	A	B	C
6p	2.5	3.5	4.9
8p	3.5	4.5	5.9
10p	4.5	5.5	6.9
12p	5.5	6.5	7.9
14p	6.5	7.5	8.9
16p	7.5	8.5	9.9
18p	8.5	9.5	10.9
20p	9.5	10.5	11.9
22p	10.5	11.5	12.9
24p	11.5	12.5	13.9
26p	12.5	13.5	14.9
28p	13.5	14.5	15.9
30p	14.5	15.5	16.9



RECOMMENDED PATTERN LAYOUT



RECOMMENDED FPC PATTERN