

MHF-A13 Plug Cable Assembly

Applicable Cable for **O.D.1.13mm** Cable

【Part Number】

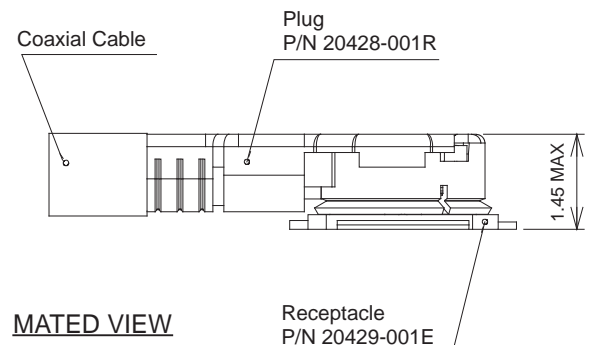
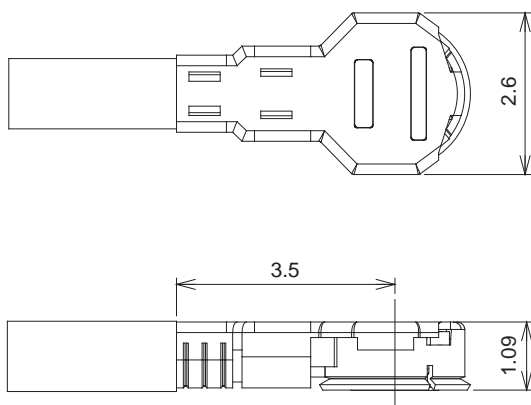
Ground Contact : **Au** Plating

20428 - 001 R

Packing : Reel
1 reel : 2,000pcs

【Applicable Cable Size】

Part No. (Au)	20428-001R
Part No. (Ag)	-
	for AWG#32
Applicable Cable Nominal Dimension	
Braided Shield of Outer Conductor	Single Braided Shield



【Material and Finish】

Parts	Material	Plating / Color
HOUSING	PBT UL94V-0	BLACK
CONTACT	COPPER ALLOY	Au
GROUND CONTACT	COPPER ALLOY	Au

MHF-A Receptacle

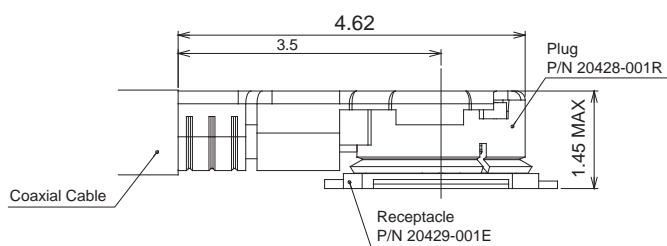
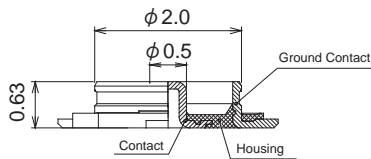
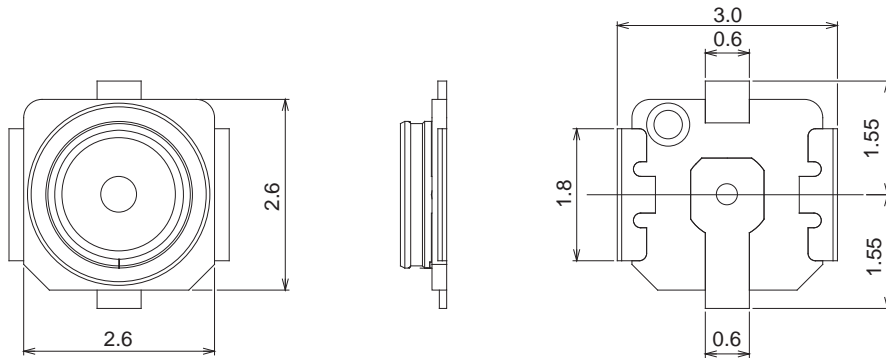
Mating Height : **1.45mm MAX**

【Part Number】

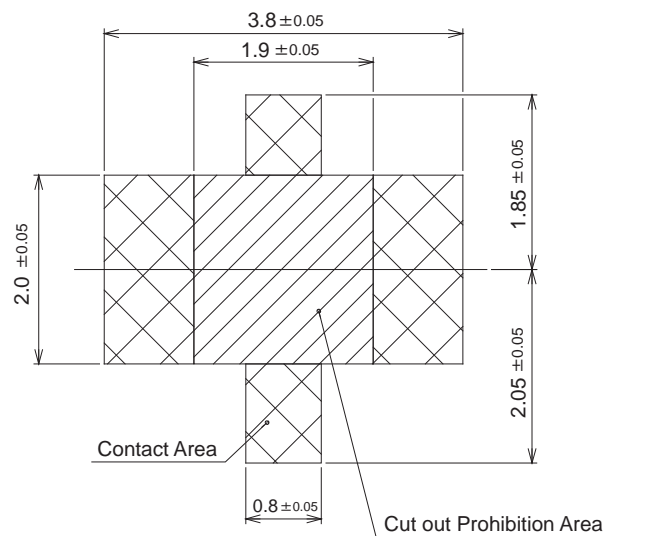
Ground Contact : **Au Plating**

20429-001 E

Packing : Emboss Tape
1reel : 5,000pcs



MATED VIEW



RECOMMENDED FOOTPRINT PATTERN

【Material and Finish】

Parts	Material	Plating / Color
HOUSING	LCP UL94V-0	BLACK
CONTACT	COPPER ALLOY	Au
GROUND CONTACT	COPPER ALLOY	Au