

# CABLIN<sup>®</sup> III

## 0.5mm Pitch Right Angle Stacking Type



- 0.5mm Pitch SGC Connector
- Impedance matching and EMI performance with METAL SHELL
- Mating Height : 2.0mm - Connector depth : 4.0mm
- Easy mechanical cable termination with “ i-Fit<sup>®</sup> ” Technology

### 【Number of Position】

16p

### 【Ordering Code】

PLUG Connector set (for Cable)

Parts Ordering (HOUSING)  
**20248- 016** T - \*\*F  
   ①    ②

Parts Ordering (Cable Holder)  
**1765 - 016** B - \*  
   ①    ③

Parts Ordering (METAL COVER)  
**1767- 016T**

RECEPTACLE Connector Set  
 (for PC Board)

**20247- \* 16** E- \*\*F  
   ①    ②    ③

### 【Applicable Cable Size】

|          |                   |
|----------|-------------------|
| SGC      | AWG #36, #38, #40 |
| TWINCOAX | AWG #40           |

|   |                    |     |         |
|---|--------------------|-----|---------|
| ① | Packaging          | T   | Tray    |
|   |                    | B   | Bag     |
| ② | Housing Color      | F   | BLACK   |
|   |                    | 01F | NATURAL |
| ③ | Cable Holder Color | B   | BLACK   |
|   |                    | -   | NATURAL |

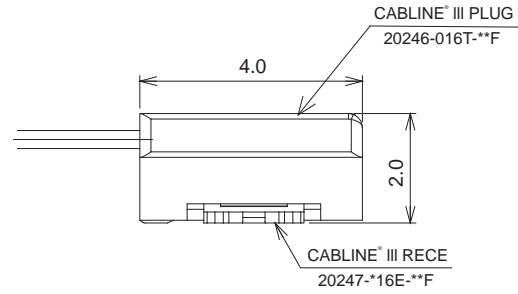
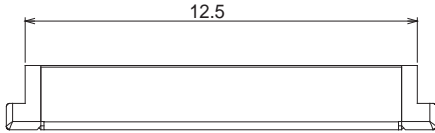
|   |                      |     |                      |
|---|----------------------|-----|----------------------|
| ① | Adhesion Tape        | 0   | With (7.5mm)         |
|   |                      | 1   | Without              |
|   |                      | 9   | With (9.0mm)         |
| ② | Packaging            | E   | Emboss Tape          |
| ③ | Housing Color & BOSS | 01F | BLACK Without BOSS   |
|   |                      | 11F | NATURAL Without BOSS |

### 【Material / Finish】

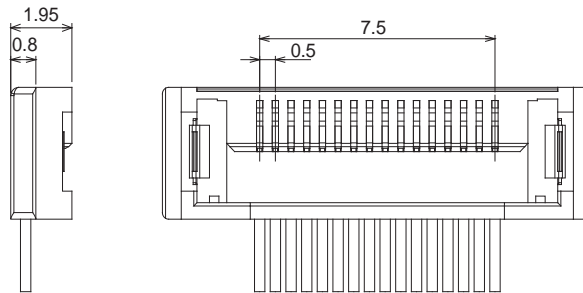
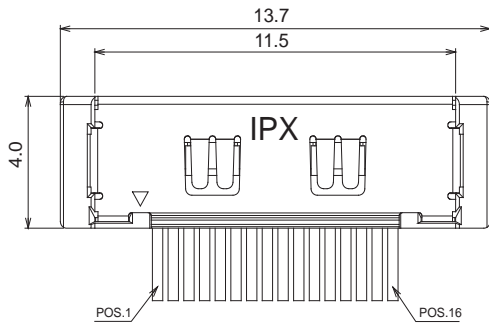
| Product    | Parts       | Material     | Plating / Color  |
|------------|-------------|--------------|------------------|
| PLUG       | HOUSING     | LCP UL94V-0  | BLACK or NATURAL |
|            | CONTACT     | COPPER ALLOY | Sn REFLOW        |
|            | METAL COVER | COPPER ALLOY | Sn REFLOW        |
| RECEPTACLE | HOUSING     | LCP UL94V-0  | BLACK or NATURAL |
|            | CONTACT     | COPPER ALLOY | Sn REFLOW        |
|            | HOLD DOWN   | COPPER ALLOY | Sn REFLOW        |

**PLUG**

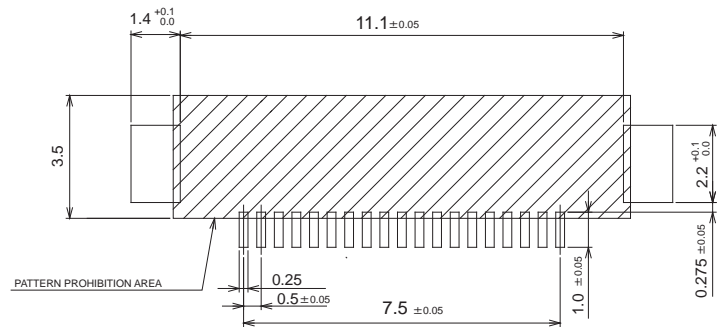
Set P/N : 20246-016T-\*\*F



**MATED VIEW**



**RECEPTACLE**



**RECOMMENDED PATTERN LAYOUT**

