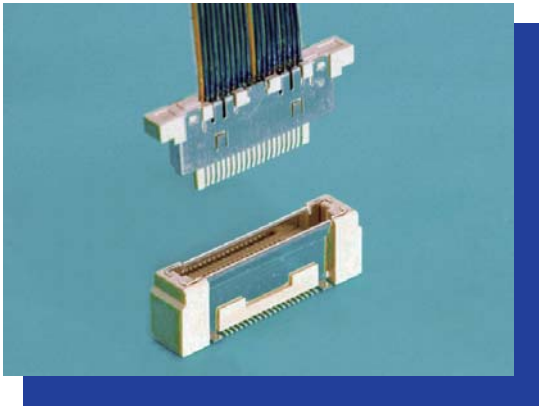


CABLINE® II VT4

0.5mm Pitch Vertical Type



- 0.5mm Pitch SGC Connector
- Impedance matching and EMI performance with METAL SHELL
- PLUG Side : CABLINE® II HT1 PLUG
- Easy mechanical cable termination with “i-Fit®” Technology

【Number of Position】

20p, 40p

【Applicable Cable Size】

SGC	AWG #34, #36, #38, #40
-----	------------------------

【Ordering Code】

PLUG Connector Set (for Cable)

Parts Ordering (HOUSING)

20152- 0 ** U-20F

① ②

Parts Ordering (Cable Holder)

20153- 0 ** U- **F

① ② ③

RECEPTACLE Connector Set
(for PC Board)

20198- 0 ** E- **F

① ② ③

①	POS.	20:20pos. 30:30pos. 40:40pos. 50:50pos.	
②	Packaging	U	Tube
③	Cable Size	F	ALL POS. : AWG#36 or #38 or #40
		※01F	POS.1&2 : AWG#34 OTHER POS. : AWG#36 or #38 or #40

※MARK : 20p Only

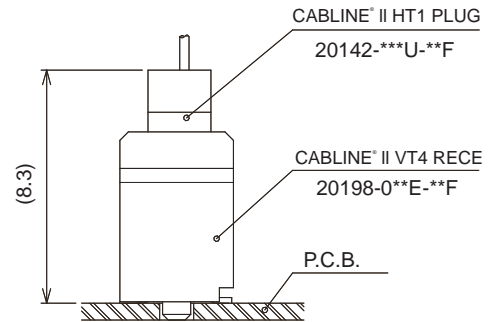
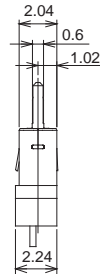
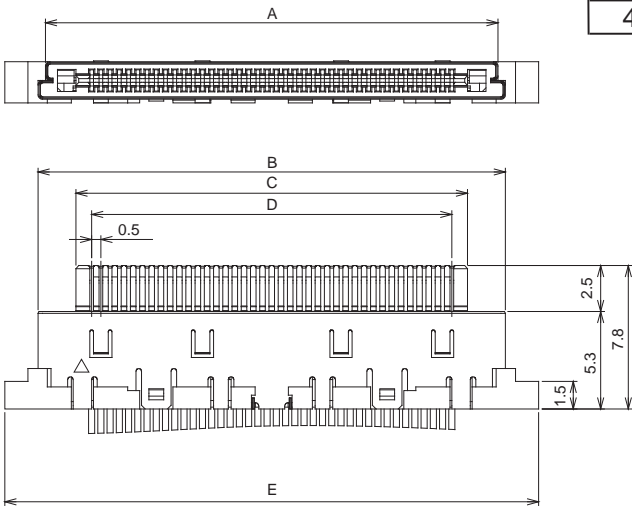
①	POS.	20: 20pcs. 40: 40pcs.	
②	Packaging	E	Emboss Tape
③	BOSS	20F	With
		21F	Without

【Material / Finish】

Product	Parts	Material	Plating / Color
PLUG	HOUSING	LCP UL94V-0	NATURAL
	CABLE HOLDER	LCP UL94V-0	NATURAL
	CONTACT	COPPER ALLOY	Au (Mating Area) / Sn
	METAL COVER	COPPER ALLOY	Sn
RECEPTACLE	HOUSING	LCP UL94V-0	NATURAL
	CONTACT	COPPER ALLOY	Au
	METAL COVER	COPPER ALLOY	Sn

PLUG

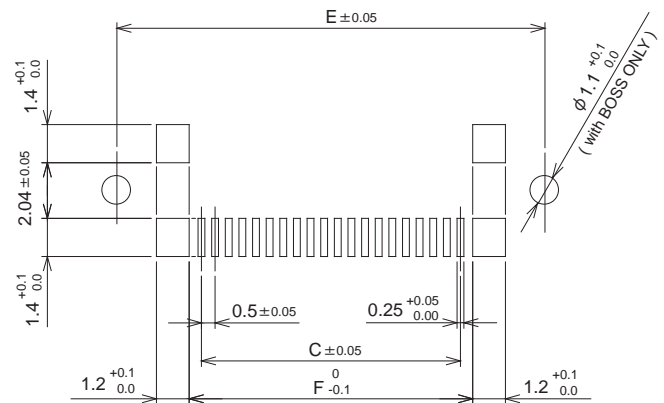
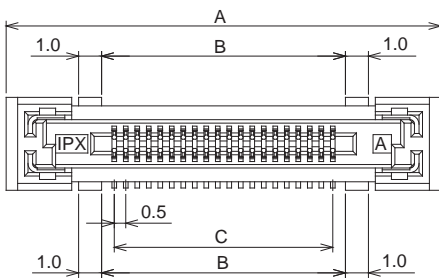
POS.	PART NO.	A	B	C	D	E
20p	20142-020U-**F	14.5	15.3	11.2	9.5	18.9
40p	20142-040U-**F	24.5	25.3	21.2	19.5	28.9



MATED VIEW

RECEPTACLE

POS.	PART NO.	A	B	C	D	E	F	G
20p	20198-020E-**F	18.9	10.6	9.5	13.2	15.7	10.4	17.0
40p	20198-040E-**F	28.9	20.6	19.5	23.2	25.7	20.4	27.0



RECOMMENDED PATTERN LAYOUT

