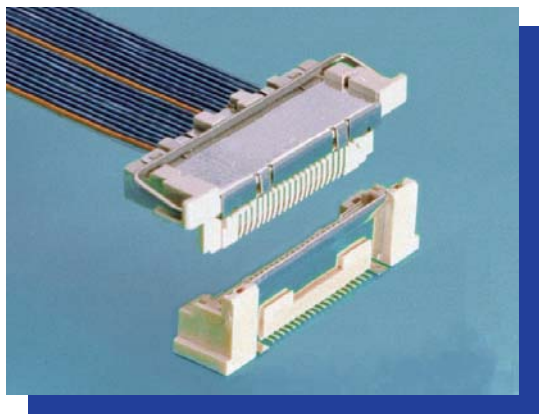


CABLIN[®] II VT5

0.5mm Pitch Right Angle Type



- 0.5mm Pitch SGC Connector
- Impedance matching and EMI performance with METAL SHELL
- Pull Bar with tab to remove the PLUG from RECEPTACLE without damage
- Easy mechanical cable termination with “i-Fit[®]” Technology

【Number of Position】

20p, 30p, 40p

【Ordering Code】

PLUG Connector Set (for Cable)

Parts Ordering (HOUSING)

20227- * ** U-21F

① ② ③

Parts Ordering (Cable Holder)

【for SGC】

20153- 0 ** U-02F

② ③

【for TWINCOAX】

1495 - T ** B

② ③

RECEPTACLE Connector Set
(for PC Board)

20228- 0 ** E- **F

① ② ③

【Applicable Cable Size】

SGC	AWG #36, #38, #40
TWINCOAX	AWG #40

①	Cable Type	0	SGC
		T	TWINCOAX
②	POS.	20 : 20pos. 30 : 30pos. 40 : 40pos.	
③	Packaging	U	Tube
		B	Bag

①	POS.	20 : 20pos. 30 : 30pos. 40 : 40pos.	
②	Packaging	E	Emboss Tape
		22F	With
③	BOSS	23F	Without

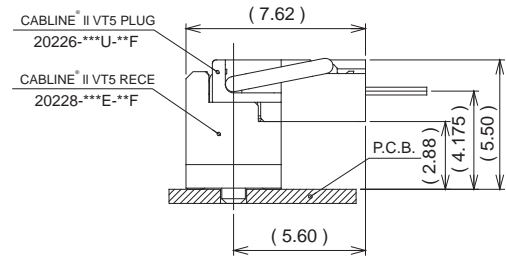
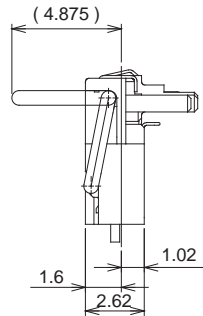
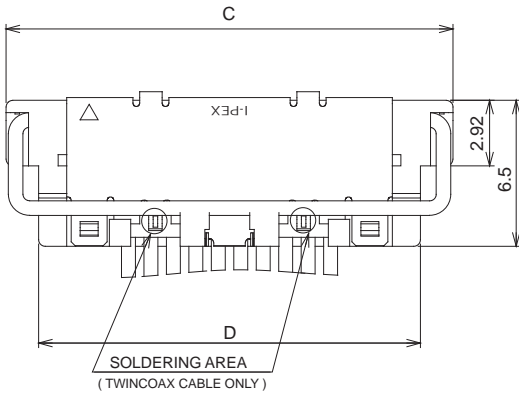
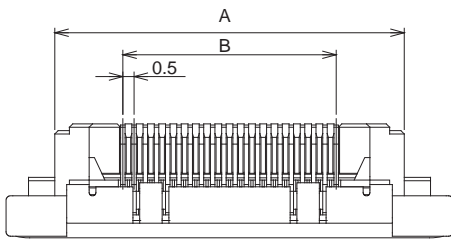
【Material / Finish】

Product	Parts	Material	Plating / Color
PLUG	HOUSING	LCP UL94V-0	NATURAL
	CABLE HOLDER	LCP UL94V-0	NATURAL
	CONTACT	COPPER ALLOY	Au (Mating Area) / Sn
	METAL COVER	COPPER ALLOY	Sn
RECEPTACLE	HOUSING	LCP UL94V-0	NATURAL
	CONTACT	COPPER ALLOY	Au
	METAL COVER	COPPER ALLOY	Sn

PLUG

Set P/N: 20226-0**U-**F

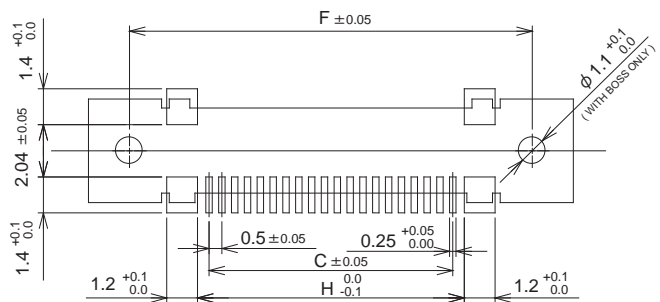
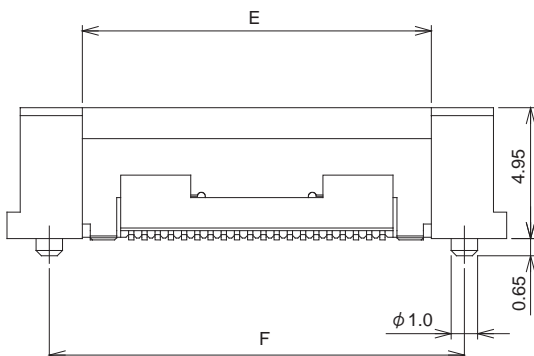
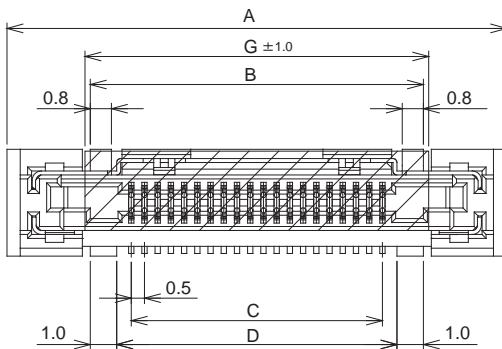
POS.	A	B	C	D
20p	15.56	9.5	19.9	17.0
30p	20.56	14.5	24.9	22.0
40p	25.56	19.5	29.9	27.0



MATED VIEW

RECEPTACLE

POS.	PART NO.	A	B	C	D	E	F	G	H
20p	20228-020E-**F	18.9	11.0	9.5	10.6	13.2	15.7	13.0	10.4
30p	20228-030E-**F	23.9	16.0	14.5	15.6	18.2	20.7	18.0	15.4
40p	20228-040E-**F	28.9	21.0	19.5	20.6	23.2	25.7	23.0	20.4



RECOMMENDED PATTERN LAYOUT

