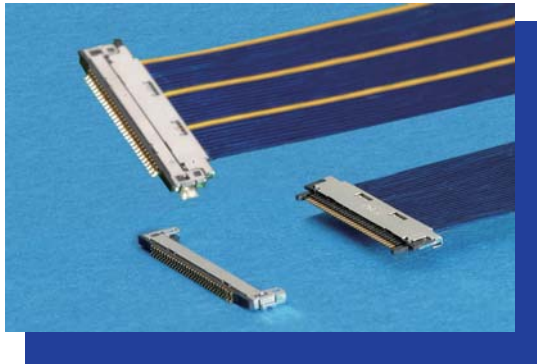


CABLINE® IV

0.5mm Pitch

Horizontal Type



- Half the projected area of CABLINE® II HT1, Mating depth : 5.3mm, Mating height : 1.0mm.
- Impedance matching and EMI performance with METAL SHELL
- Stable mating with housing lock mechanism.
- Soldering connection

【Number of Position】

10p, 30p

【Ordering Code】

PLUG Connector Set (for Cable)

Parts Ordering (HOUSING)

20326- 0 ** T-02

① ②

Parts Ordering (SHELL A)

1978-0 ** 1

①

RECEPTACLE Connector Set
(for PC Board)

20327- 0 ** E- * *

① ② ③ ④

【Applicable Cable Size】

SGC	AWG #32, #34, #36, #40
TWINCOAX	AWG #40
DISCRETE	AWG #32, #36

①	POS.	10: 10pos. 30: 30pos.	
②	Packaging	T	Tray

①	POS.	10: 10pos. 30: 30pos.	
②	Packaging	E	Emboss Tape
③	Nickel Barrier	0	Without
		1	With
④	BOSS	1	With
		2	Without

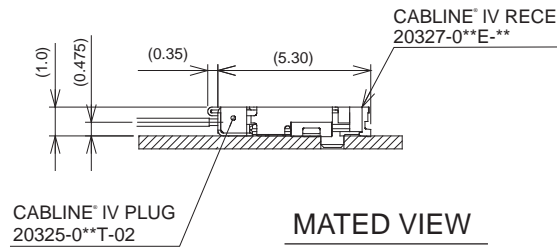
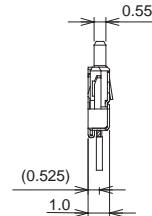
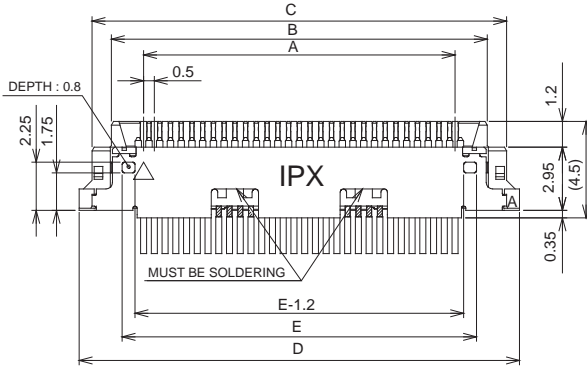
【Material / Finish】

Product	Parts	Material	Plating / Color
PLUG	HOUSING	LCP UL94V-0	BLACK
	CONTACT	COPPER ALLOY	Au
	SHELL A	STAINLESS STEEL	Sn-Cu
	SHELL B	STAINLESS STEEL	Sn-Cu
RECEPTACLE	HOUSING	LCP UL94V-0	BLACK
	CONTACT	COPPER ALLOY	Au
	SHELL	COPPER ALLOY	Sn-Cu

PLUG

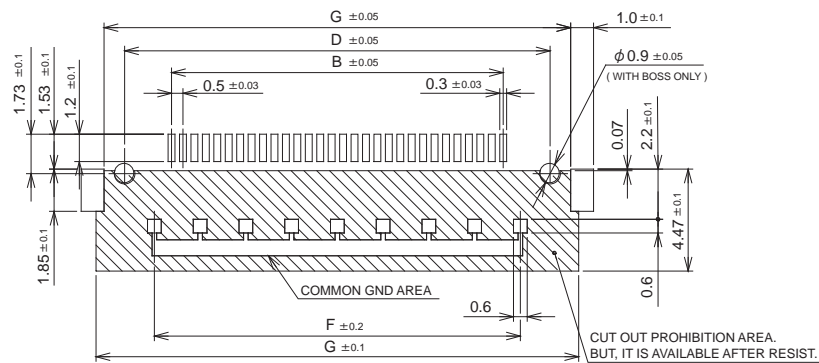
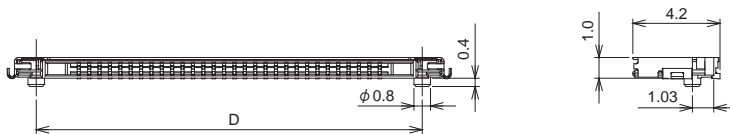
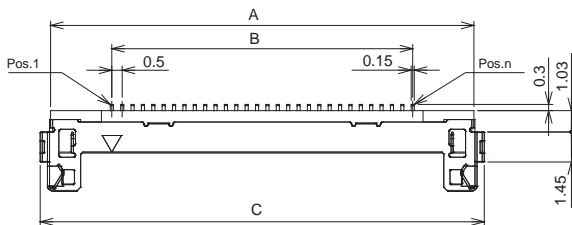
Set P/N : 20325-0**T-02

POS.	A	B	C	D	E
10p	4.5	7.5	9.3	10.5	6.5
30p	14.5	17.5	19.3	20.5	16.5



RECEPTACLE

POS.	PART NO.	A	B	C	D	E	F	G
10p	20327-010E-**	10.4	4.5	11.4	8.6	0.75	6.0	11.1
30p	20327-030E-**	20.4	14.5	21.4	18.6	0.75	16.0	21.1



RECOMMENDED PATTERN LAYOUT