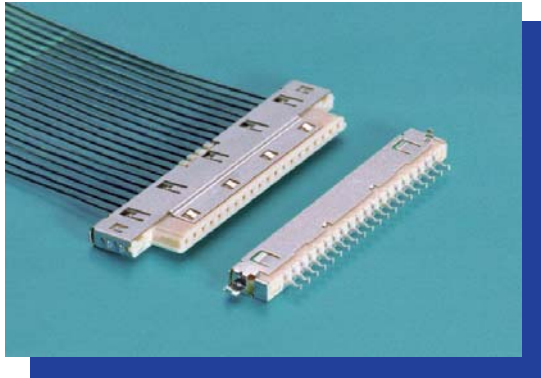


# CABLIN<sup>®</sup>-F

1.25mm Pitch

Horizontal Type



- 1.25mm Pitch SGC Connector
- Impedance matching and EMI performance with METAL SHELL
- SPWG1.0 Compatible
- Easy mechanical cable termination with “i-Fit<sup>®</sup>” Technology

**【Number of Position】**

20p

**【Ordering Code】**

Connector Set (for Cable)

Parts Ordering (HOUSING)

**20199- 020 U-F**

① ②

Parts Ordering (Cable Holder)

**1653- 020 B- \*\***

① ② ③

Connector Set (for PC Board)

**20186- 020 E- 1 \* F**

① ② ③

**【Applicable Cable Size】**

SGC	AWG #36, #38, #40
TWINCOAX	AWG #40

①	POS.	20 : 20pos.	
②	Packaging	U	Tube
		B	Bag
③	Cable Type	NON	SGC
		01	TWINCOAX

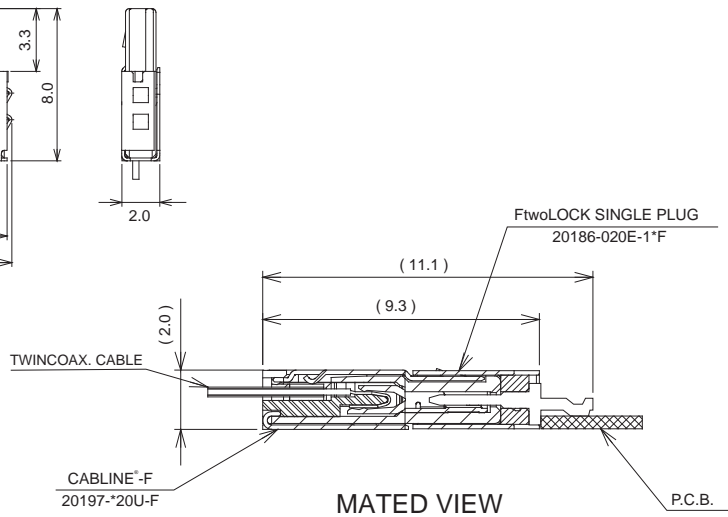
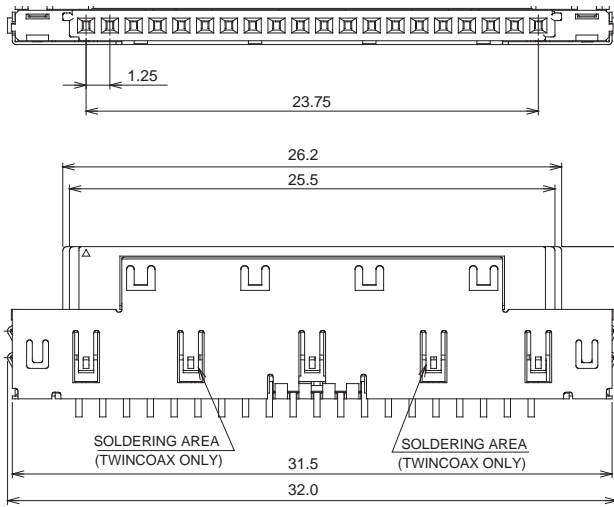
①	POS.	20 : 20pos.	
②	Packaging	E	Emboss Tape
③	OFFSET	1	1.48mm
		2	1.31mm
		3	1.00mm

**【Material / Finish】**

Product	Parts	Material	Plating / Color
Cable Side	HOUSING	PPS UL94V-0	NATURAL
	CABLE HOLDER	PPS UL94V-0	NATURAL
	CONTACT	COPPER ALLOY	Au(Mating area) & Sn
	SHELL	COPPER ALLOY	Sn
Board Side	HOUSING	LCP UL94V-0	NATURAL
	CONTACT	COPPER ALLOY	Au
	SHELL	COPPER ALLOY	Sn

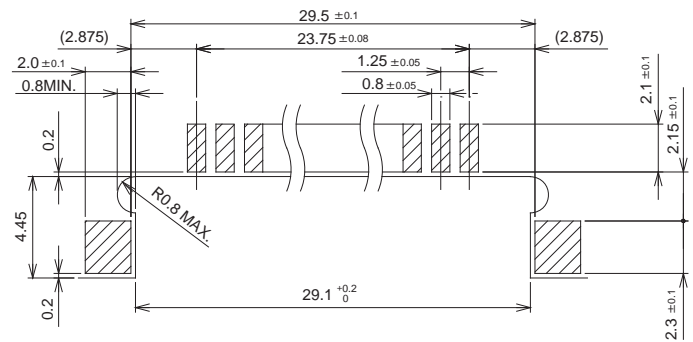
**CABLE SIDE**

Set P/N: 20197-\*20U-F



**PC Board SIDE**

PART NO.	A	B
20186-020E-11F	31.9	1.48
20186-020E-12F	32.26	1.31
20186-020E-13F	32.86	1.00



RECOMMENDED PATTERN LAYOUT

