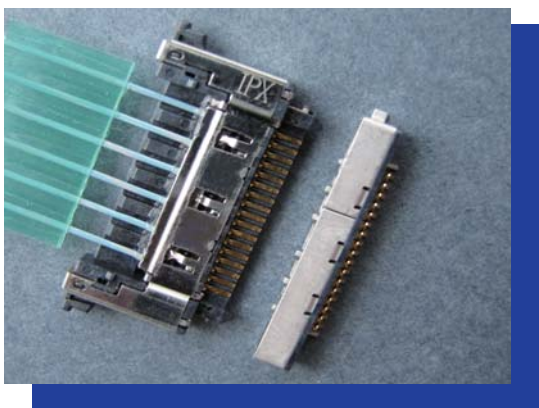


CABLINE[®]-FE

1.0mm Pitch

Horizontal Type



- Appropriate connector for LVDS transmission to interconnect the home digital electronics appliance
- Impedance matching and EMI performance with METAL SHELL
- Stable mating by housing lock mechanism
- Soldering connection

【Number of Position】

14p, 17p, (30p)

【Applicable Cable Size】

TWINCOAX	AWG #40
----------	---------

【Ordering Code】

PLUG Connector Set (for Cable)

Parts Ordering (HOUSING)

20350- 0 ** T
 ① ②

①	POS.	14 : 14pos. 17 : 17pos.
②	Packaging	T Tray

Parts Ordering (SHELL)

2073- 0 ** 1
 ①

RECEPTACLE Connector Set
(for PC Board)

20364- 0 E**
 ① ②

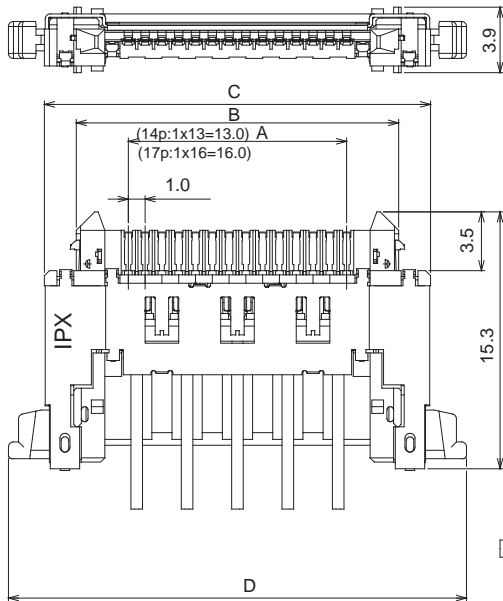
①	POS.	14 : 14pos. 17 : 17pos. 30 : 30pos.
②	Packaging	E Emboss Tape

【Material / Finish】

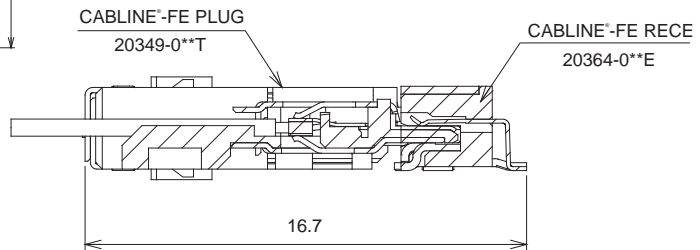
Product	Parts	Material	Plating / Color
PLUG	HOUSING	LCP UL94V-0	BLACK
	CONTACT	COPPER ALLOY	Au
	SHELL	COPPER ALLOY	Sn
	LATCH	STAINLESS STEEL	-
RECEPTACLE	HOUSING	LCP UL94V-0	BLACK
	CONTACT	COPPER ALLOY	Au
	SHELL	COPPER ALLOY	Sn
	LATCH LOCK	STAINLESS STEEL	-

PLUG

Set P/N: 20349-0**T



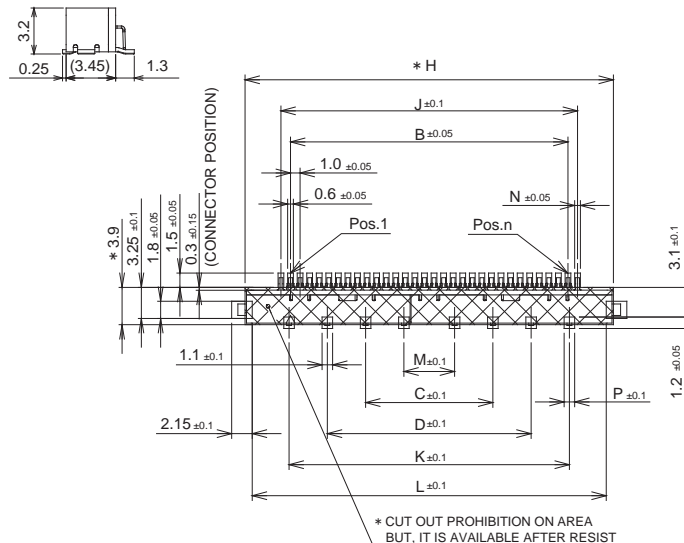
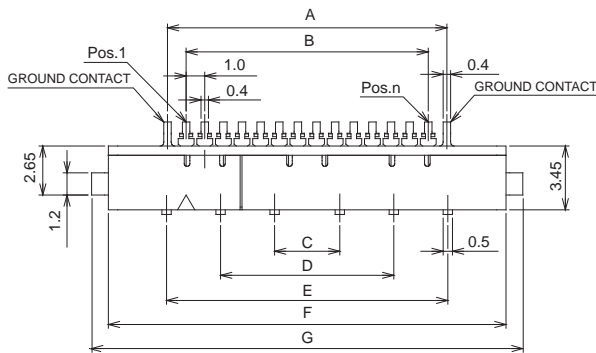
POS.	A	B	C	D
14p	13.0	19.2	23.0	27.28
17p	16.0	22.2	26.0	30.28



RECEPTACLE

MATED VIEW

POS.	PART NO.	A	B	C	D	E	F	G	H	J	K	L	M	N	P
14p	20364-014E	15.0	13.0	3.5	9.3	15.1	21.35	23.15	21.65	16.3	16.3	20.15	-	2.1	2.1
17p	20364-017E	18.0	16.0	3.9	9.7	15.5	25.15	27.0	25.5	18.0	15.5	24.0	-	0.6	1.10
30p	20364-030E	31.0	29.0	13.3	21.3	29.3	38.2	40.0	38.5	31.0	29.3	37.0	5.3	0.6	1.10



RECOMMENDED PATTERN LAYOUT